

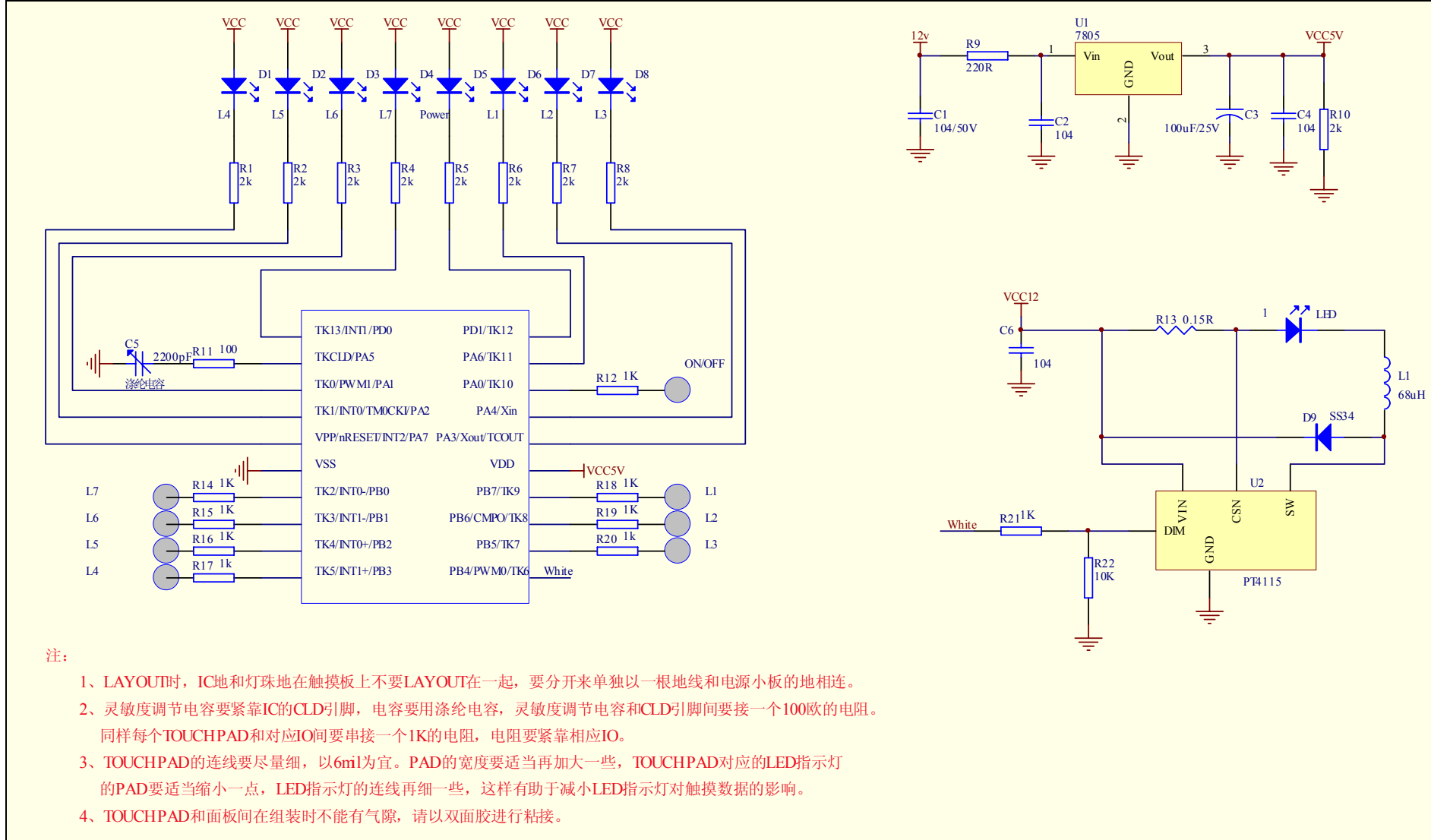
**MC9003B 规格书**

MC9003B 脚位图:

**PIN ASSIGNMENT**

TK13/INT1/PD0	1	U	20	PD1/TK12
TKCLD/PA5	2		19	PA6/TK11
TK0/PWM1/PA1	3		18	PA0/TK10
TK1/INT0/TM0CKI/PA2	4		17	PA4/Xin
VPP/nRESET/INT2/PA7	5		16	PA3/Xout/TCOUT
VSS	6	20-DIP/SOP	15	VDD
TK2/IN0-/PB0	7		14	PB7/TK9
TK3/IN1-/PB1	8		13	PB6/CMPO/TK8
TK4/IN0+/PB2	9		12	PB5/TK7
TK5/IN1+/PB3	10		11	PB4/PWM0/TK6

MC9003B 原理图:

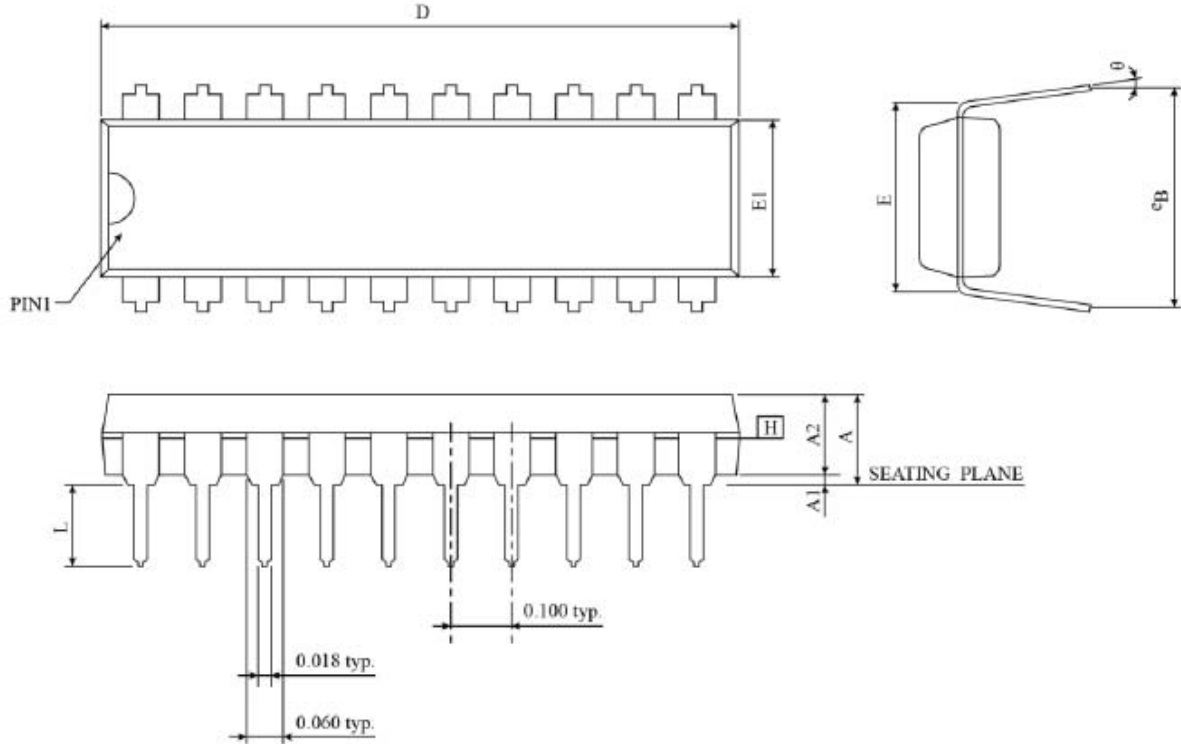


注:

- 1、LAYOUT时, IC地和灯珠地在触摸板上不要LAYOUT在一起, 要分开来单独以一根地线和电源小板的地相连。
- 2、灵敏度调节电容要靠近IC的CLD引脚, 电容要用涤纶电容, 灵敏度调节电容和CLD引脚间要接一个100欧的电阻。  
同样每个TOUCHPAD和对应IO间要串联一个1K的电阻, 电阻要靠近相应IO。
- 3、TOUCHPAD的连线要尽量细, 以6mil为宜。PAD的宽度要适当再加大一些, TOUCHPAD对应的LED指示灯的PAD要适当缩小一点, LED指示灯的连线再细一些, 这样有助于减小LED指示灯对触摸数据的影响。
- 4、TOUCHPAD和面板间在组装时不能有气隙, 请以双面胶进行粘接。

MC9003B 封装信息:

20-DIP Package Dimension

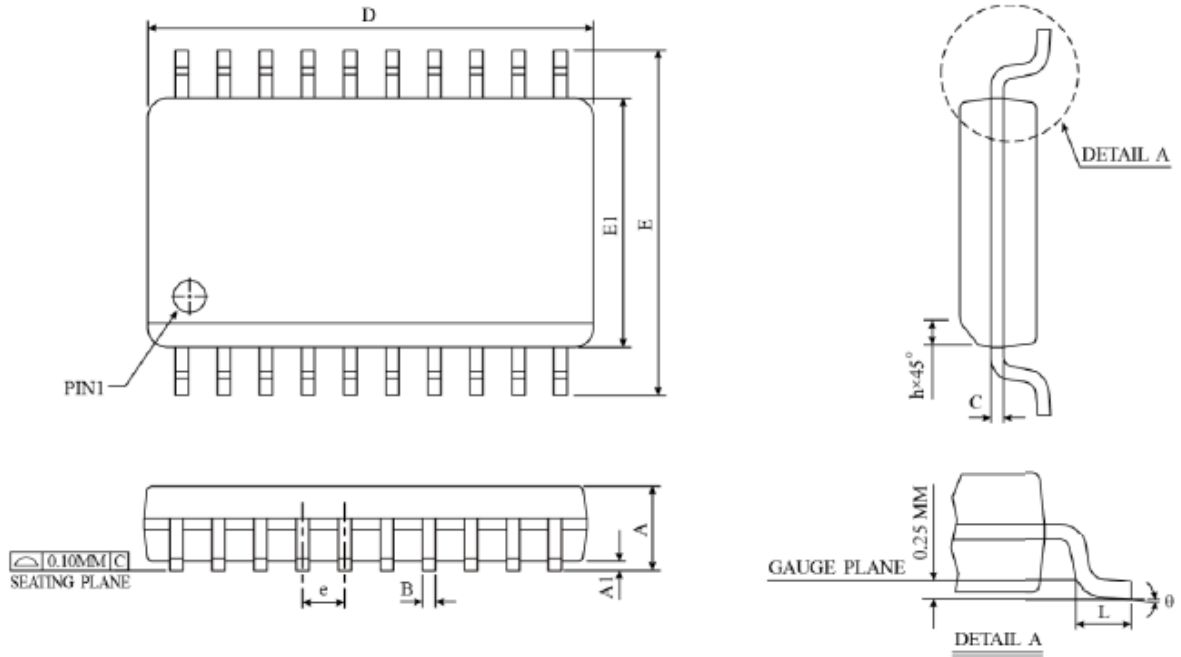


SYMBOL	DIMENSION IN MM		DIMENSION IN INCH	
	MIN	MAX	MIN	MAX
A	-	4.445	-	0.175
A1	0.381	-	0.015	-
A2	3.175	3.429	0.125	0.135
D	25.705	26.416	1.012	1.040
E	7.620	7.874	0.300	0.310
E1	6.223	6.477	0.245	0.255
L	3.048	3.556	0.120	0.140
eB	8.509	9.525	0.335	0.375
θ	0°	15°	0°	15°
JEDEC	MS-001 (AD)			

NOTES :

1. "D", "E1" DIMENSIONS DO NOT INCLUDE MOLD FLASH OR PROTRUSIONS. MOLD FLASH OR PROTRUSIONS SHALL NOT EXCEED .010 INCH.
2. eB IS MEASURED AT THE LEAD TIPS WITH THE LEADS UNCONSTRAINED.
3. POINTED OR ROUNDED LEAD TIPS ARE PREFERRED TO EASE INSERTION.
4. DISTANCE BETWEEN LEADS INCLUDING DAM BAR PROTRUSIONS TO BE .005 INCH MINIMUM.
5. DATUM PLANE (H) COINCIDENT WITH THE BOTTOM OF LEAD, WHERE LEAD EXITS BODY.

20-SOP Package Dimension



SYMBOL	DIMENSION IN MM		DIMENSION IN INCH	
	MIN	MAX	MIN	MAX
A	2.35	2.65	0.0926	0.1043
A1	0.10	0.30	0.0040	0.0118
B	0.33	0.51	0.013	0.020
C	0.23	0.32	0.0091	0.0125
D	12.60	13.00	0.4961	0.5118
E	10.00	10.65	0.394	0.491
E1	7.40	7.60	0.2914	0.2992
e	1.27 BSC		0.050 BSC	
h	0.25	0.75	0.010	0.029
L	0.40	1.27	0.016	0.050
theta	0°	8°	0°	8°
JEDEC	MS-013 (AC)			

△ \* NOTES : DIMENSION " D " DOES NOT INCLUDE MOLD FLASH, PROTRUSIONS OR GATE BURRS.  
 MOLD FLASH, PROTRUSIONS AND GATE BURRS SHALL NOT EXCEED 0.15 MM ( 0.006 INCH ) PER SIDE.