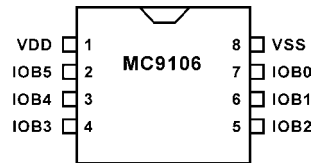


MC9106 规格书

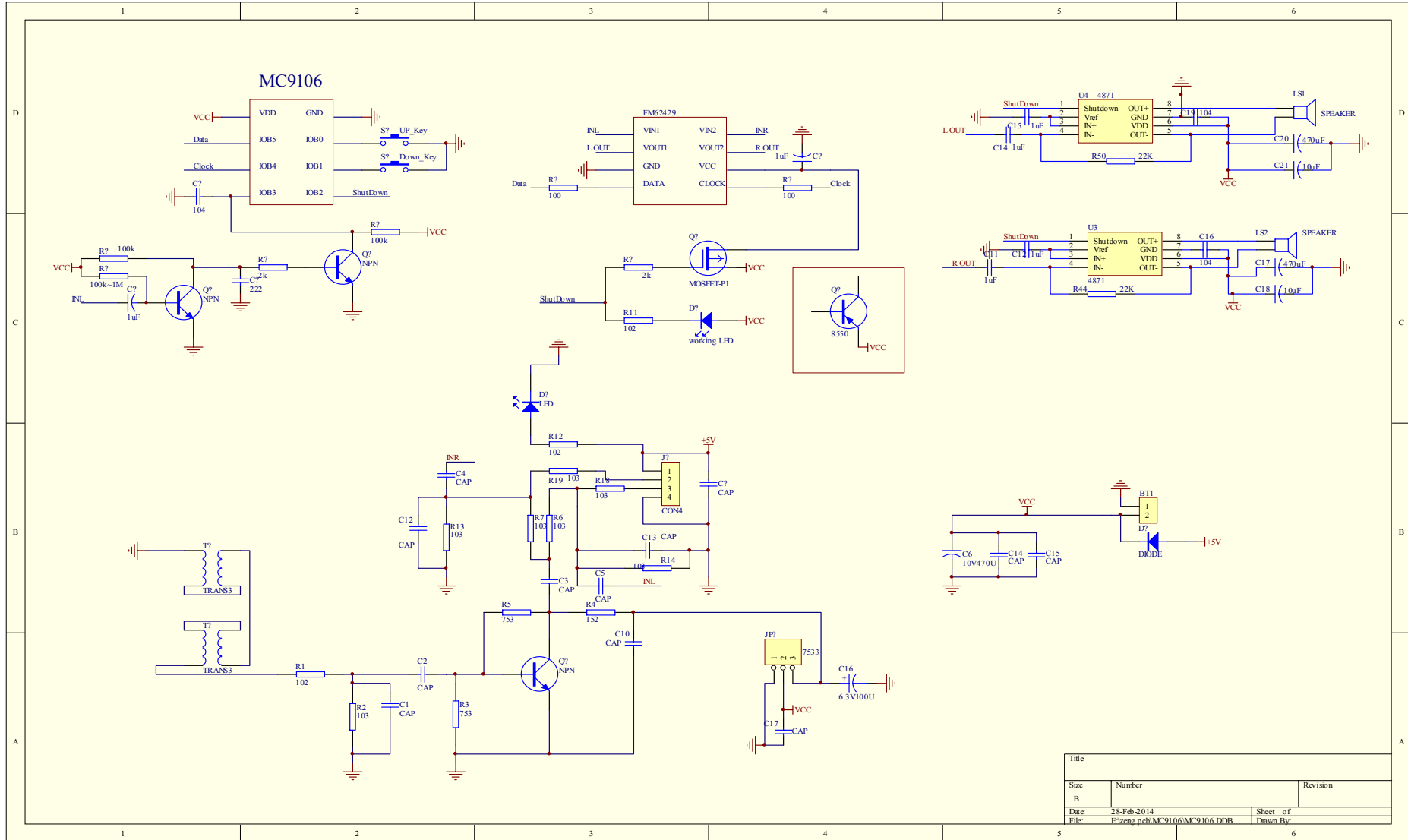
脚位图:

PIN CONNECTION

DIP,SOP

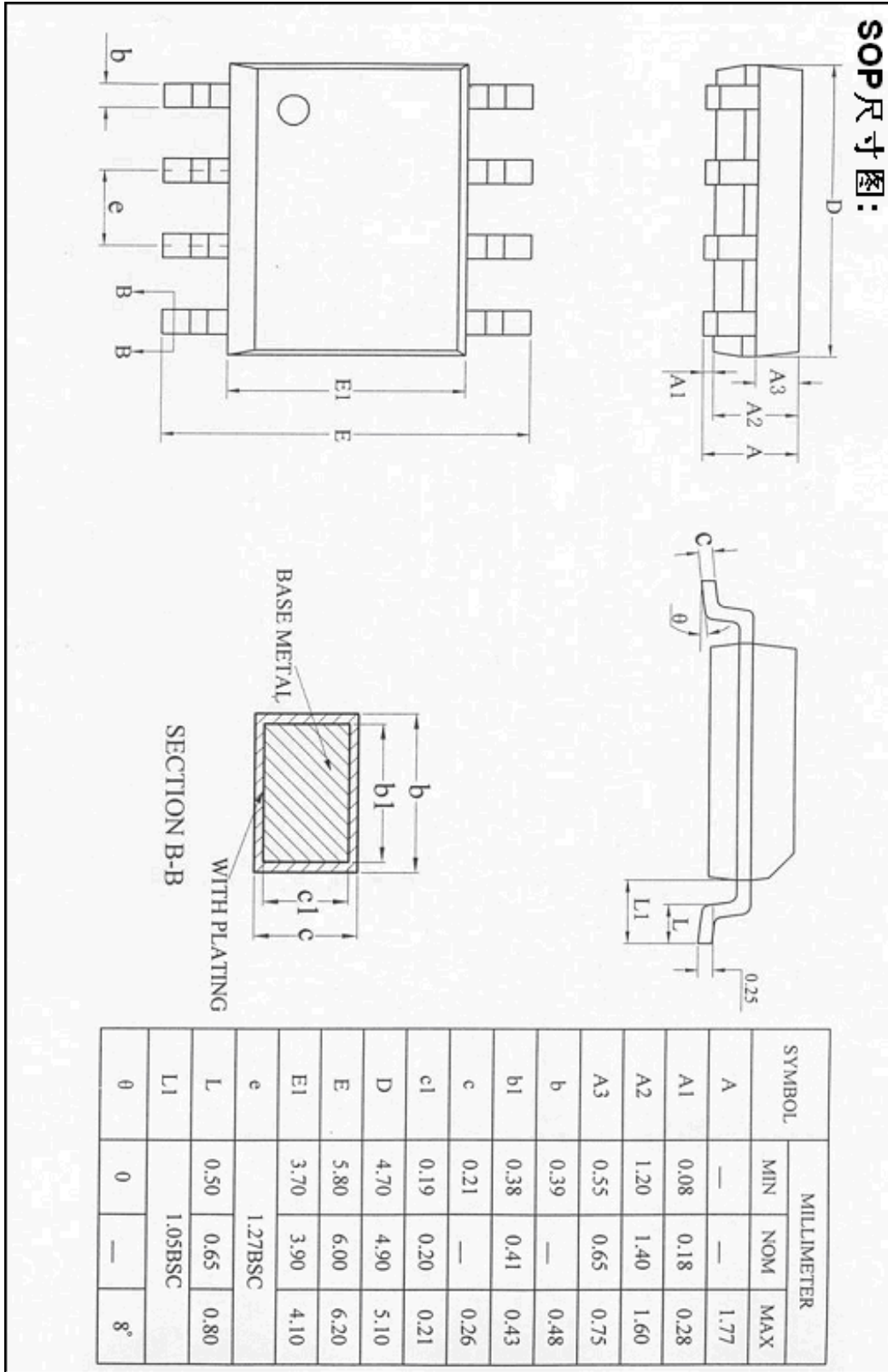


原理图:

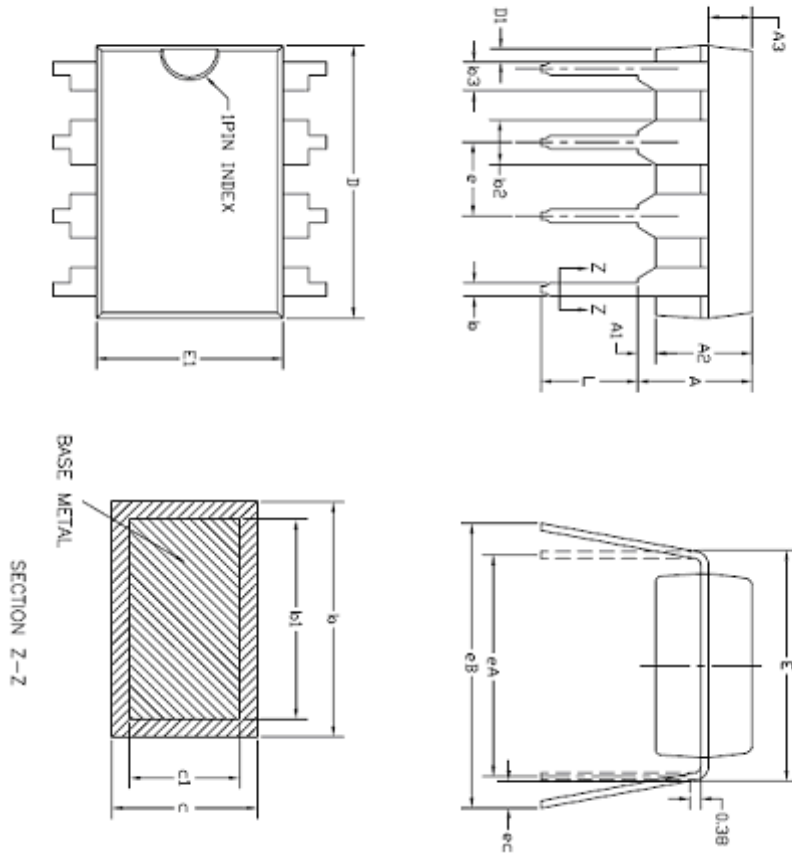


Title		
Size	Number	Revision
B		
Date	28-Feb-2014	Sheet of
File:	E:\zeng.pcb\MC9106\MC9106.DDB	Drawn By:

封装尺寸图:



DIP尺寸图:



COMMON DIMENSIONS
(UNITS OF MEASURE=MILLIMETER)

SYMBOL	MIN	NOM	MAX
A	—	—	4.80
A1	0.50	—	—
A2	3.10	3.30	3.50
A3	1.40	1.50	1.60
b	0.38	—	0.55
b1	0.38	0.46	0.51
b2	1.47	1.52	1.57
b3	0.89	0.99	1.09
c	0.21	—	0.35
c1	0.20	0.25	0.30
D	9.10	9.20	9.30
D1	0.13	—	—
E	7.62	7.87	8.25
E1	6.25	6.35	6.45
e	2.54BSC		
eA	7.62BSC		
eB	7.62	8.80	10.90
ec	0	—	1.52
L	2.92	3.30	3.81

NOTES:
ALL DIMENSIONS MEET JEDEC STANDARD MS-001 BA
DO NOT INCLUDE MOLD FLASH OR PROTRUSIONS.